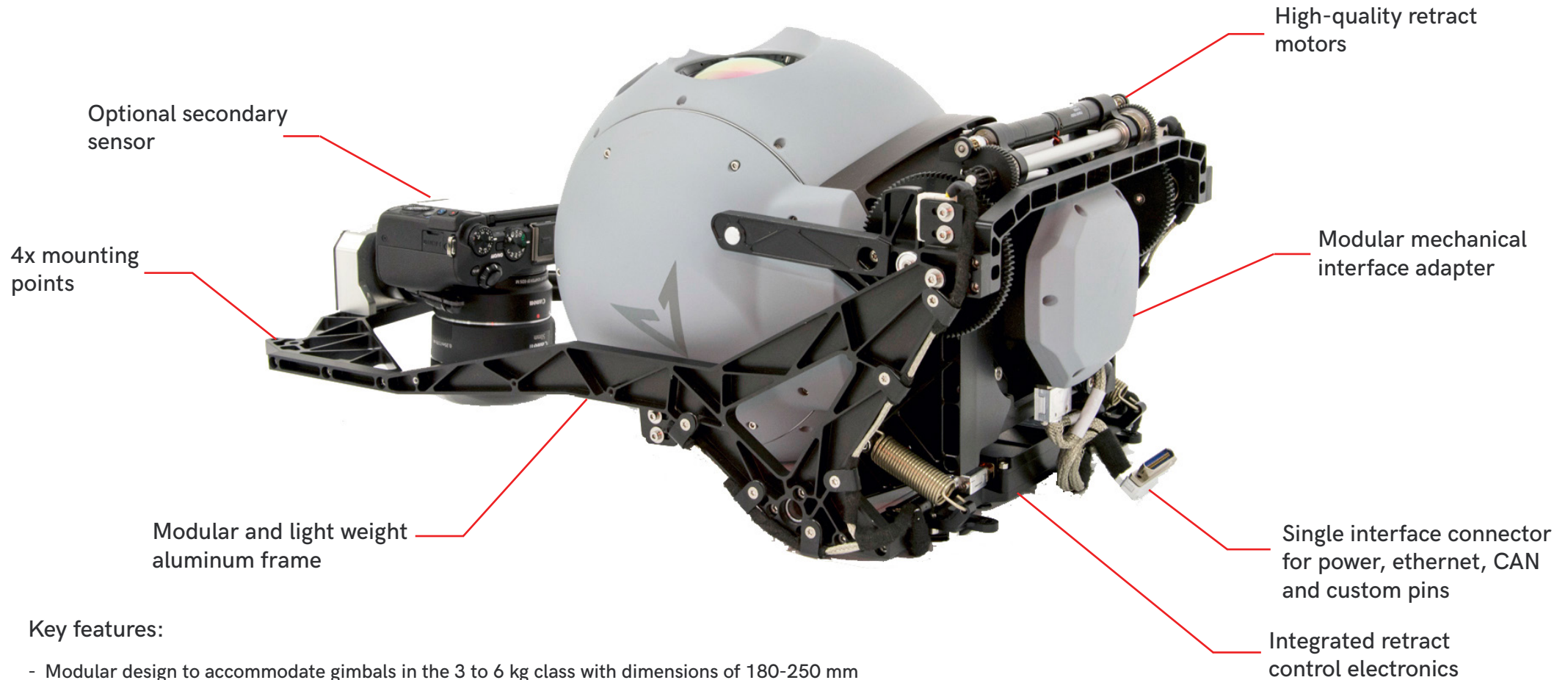


# PR1

**THREOD**

SYSTEMS

PR1 is a reliable payload retract solution to protect your valuable sensors during take-offs and landings.



## Key features:

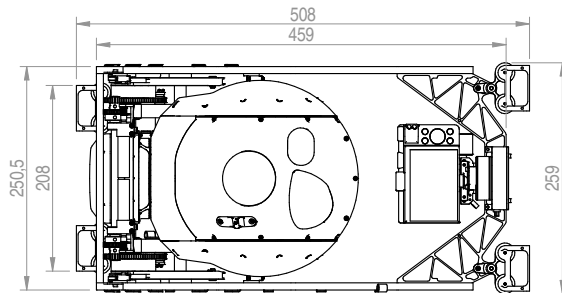
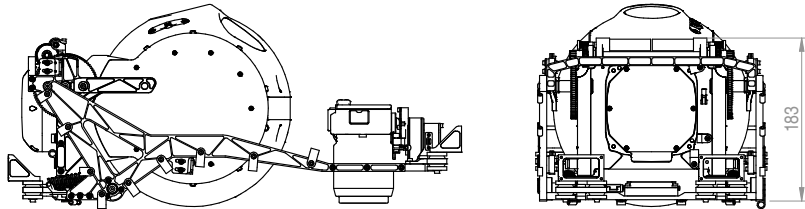
- Modular design to accommodate gimbals in the 3 to 6 kg class with dimensions of 180-250 mm
- Hardpoints with optional vibration dampeners for fuselage mounting
- Easy integration and connectivity
- Optional secondary sensor mounting location, such as photogrammetric or LIDAR

# PR1 Specifications

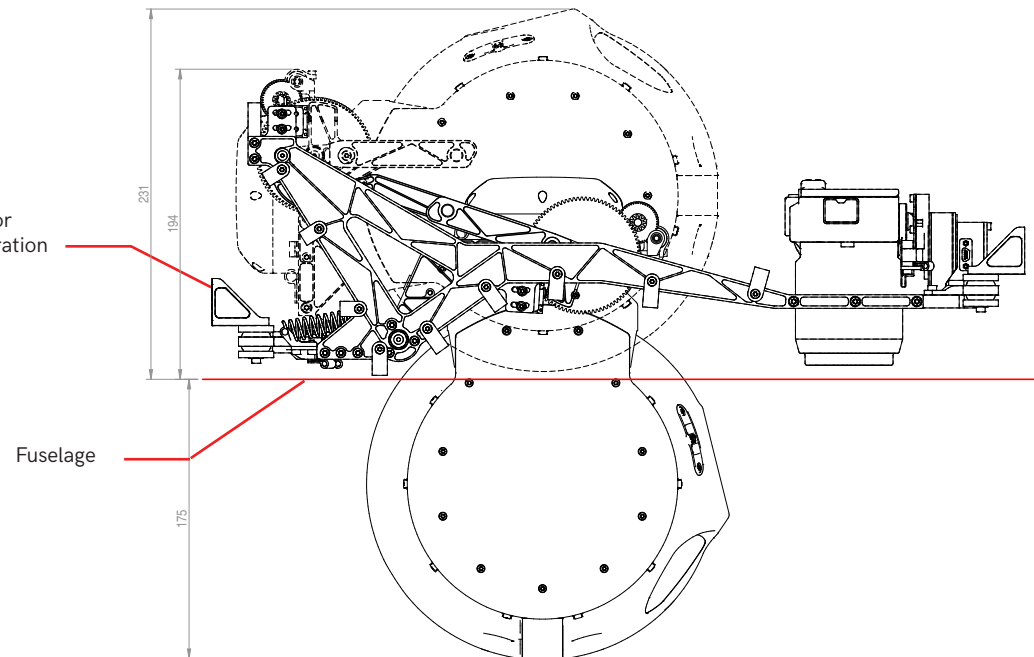
Shown in standard configuration with secondary stabilized photogrammetric sensor

Mechanical	
Weight	1 kg
Dimensions	183 x 250,5 x 459mm (H x W x L) without payload and vibration mounts
Electrical	
Supply Voltage	18-30 VDC
Power Consumption	30W peak when actuating, 1W during idle
Interfaces	
Control and Video Output	CAN and Ethernet passthrough
Optional Control	Serial TTL (RS232, RS422 optional)

Environmental	
Operating Temperature	-20 °C to +50 °C
Standards	
Environmental	MIL-STD-810G
Options	
Custom dimensions available	
Many vibration dampener variants	
Secondary sensor options	



Fuselage former or skin mounted vibration isolators



Note! PR1 is a modular payload retract that can accommodate various payloads in the 3-6kg and 180-250 mm diameter class. Contact Thread Systems for available options and quotations.