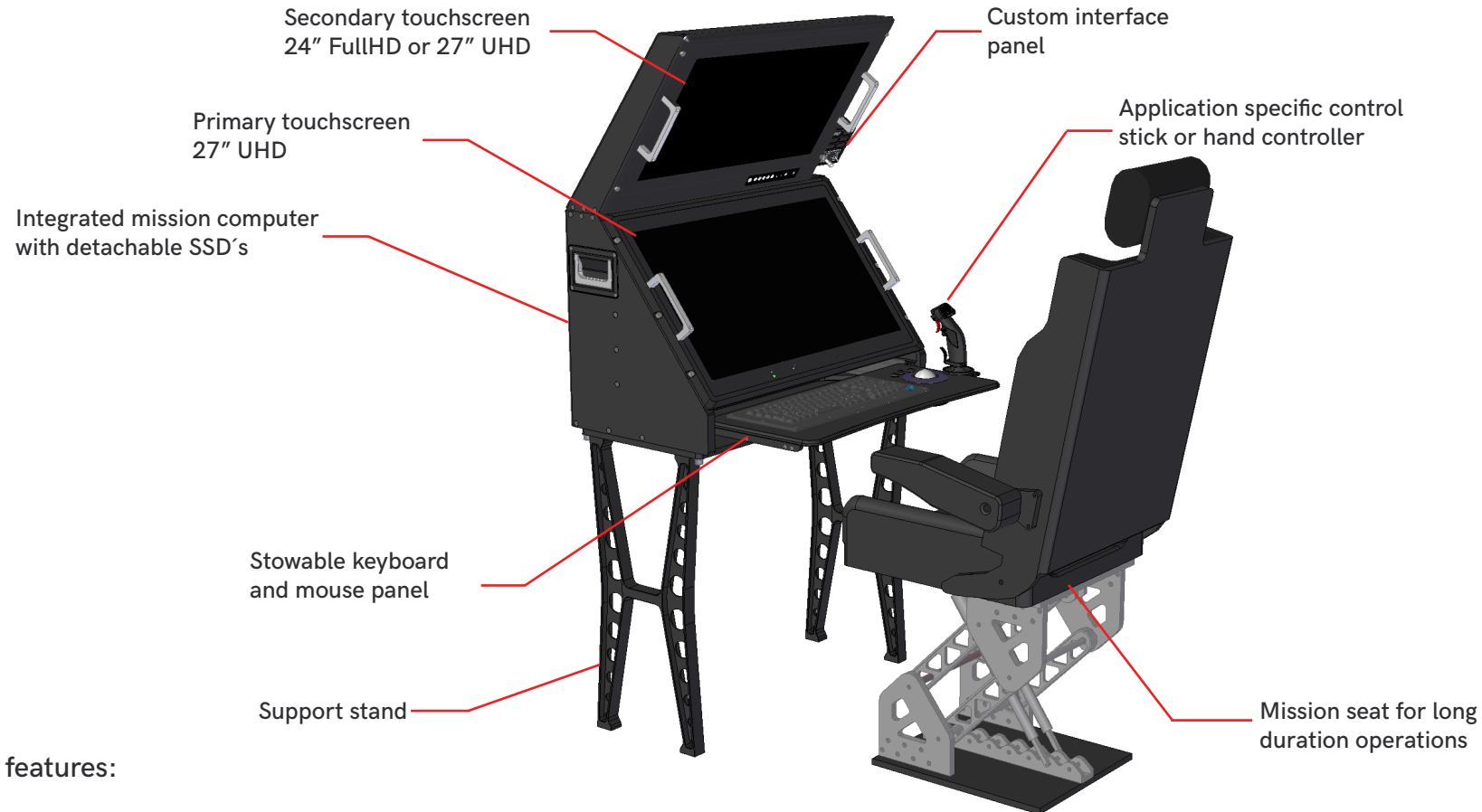


OC1

THREOD

SYSTEMS

The Operators Console 1 is a high end fully integrated Mission Control Station. It can be used for various applications including operating unmanned aerial vehicles, payloads, unmanned ground vehicles and also for various specialty applications.

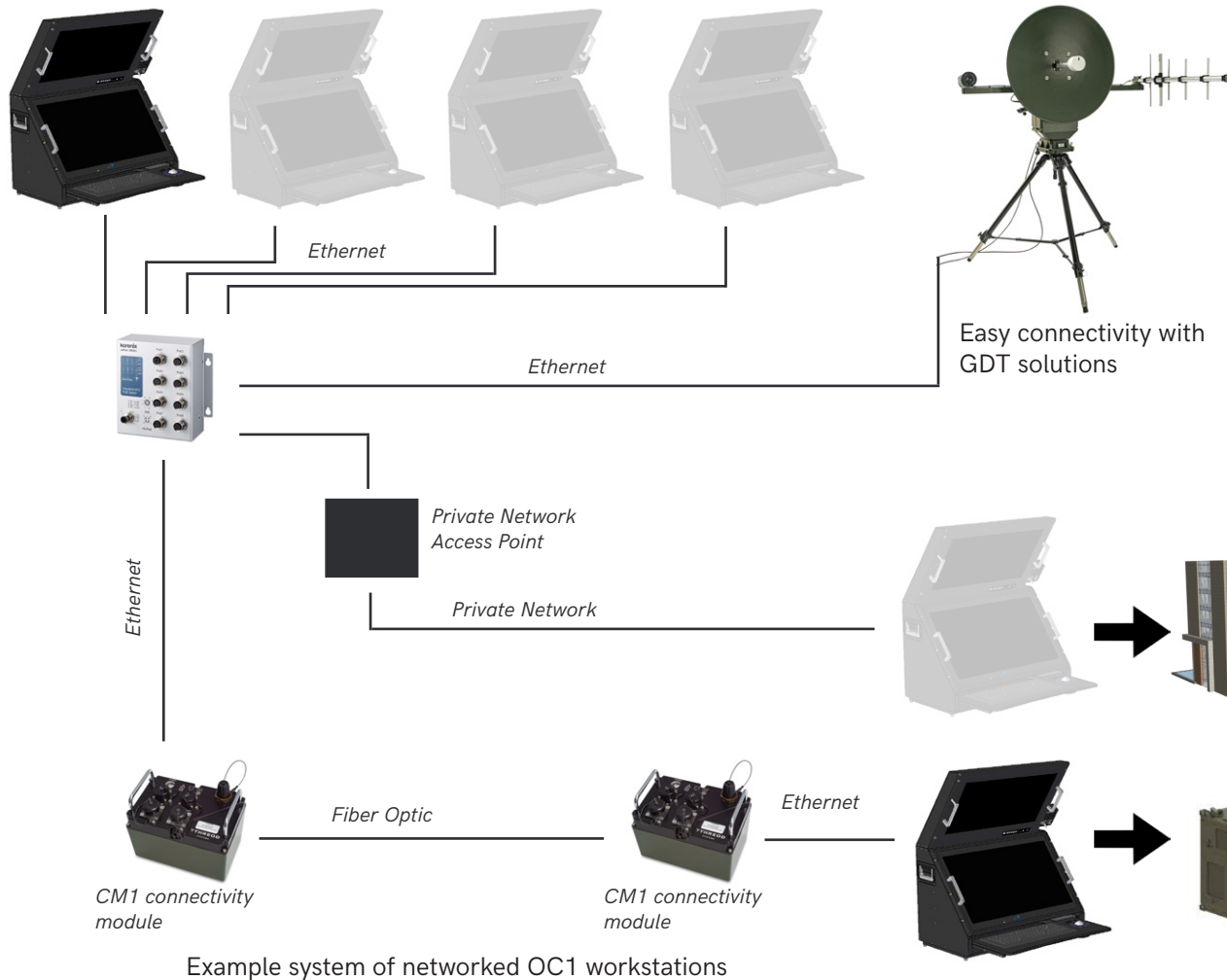


Key features:

- Perfect station to control complex UAV's, UGV's and various payloads including multi-sensor mission payloads
- All switch and interface panels are customizable
- Extensive connectivity options including USB HID, USB Ethernet adapter, Ethernet, PoE, Fiber Optic and serial interfaces allow wide range of applications
- Easy to install in shelters and buildings

OC1 Specifications

Standard configuration

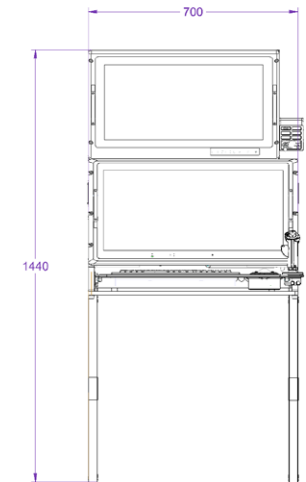


Example system of networked OC1 workstations

Note! OC1 can have various non-standard configurations. Contact Threed for options and quotations.

OC1 can easily be installed in Headquarters and Command and Control shelters

| Main Components | |
|--|--|
| Workstations | 1 seat per console (consoles can be networked) |
| Workstation Computer | Rugged mission computer |
| Displays | 27" UHD, touchscreen primary display 24" FHD, touchscreen secondary display |
| Stand | Custom stand with mounting points and guidance pins |
| Keyboard and mouse | Rugged and splash proof mounted on a stowable heavy duty drawer |
| Operators seat | High quality seat for long duration missions. Vehicle, shelter and airborne mission seats available. |
| Software | Mission management software package with advanced features and client-server architecture. Server provides video storage and sharing, audio and text chat, mission coordination, and interoperability facilities. Client provides the user interface with live and recorded video and map display and access to server features. |
| Interfaces | |
| Communication | Multiple Ethernet and F/O plugs in standard or custom military formats |
| Power | DC 28 V |
| UPS option | Yes |
| AC/DC converter option | Yes |
| Environmental | |
| Operating Temperature | -20 °C to +50 °C |
| Standards | |
| Environmental | MIL-STD-810G |
| Features | |
| Highly customizable according to client specifications | |
| Direct connectivity with GDT's, CM1 connectivity module and many other supporting subsystems | |
| Easy to integrate with Private Networks | |
| Full command authority can be handed over regardless of OC1 geographical location | |



OC1 dimensions in 24" secondary monitor configuration